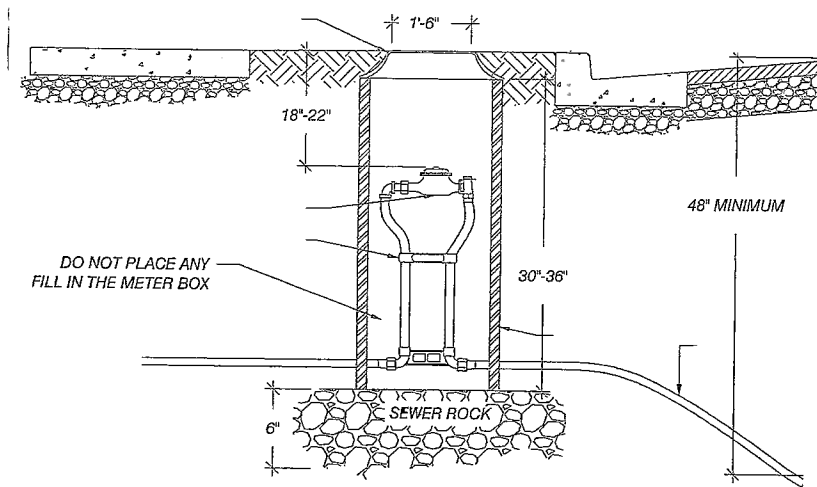


Ogden City Water Utility

Customer Guidelines for replacing a Water Lateral

Ogden City One Stop Shop Counter by visiting the Municipal Building at 2549 Washington Boulevard.
Must get a permit when repairing or replacing a water lateral

- When replacing the service line, if the meter box is **not** one foot (1') behind the existing curb, then the meter box must be moved to one foot (1') behind the curb (or other area as approved by the Water Utility).
 - This move must also be within the frontage of the building, outside of a driveway or sidewalk (or any location accessible by a motorized vehicle). The proposed location must be approved **in writing** by the Water Utility
 - Any location contrary to the above mentioned location must be approved in writing by the Water Utility
- Always call and get written bids from the contractor/plumber
- Ogden City requires the use of Polyethylene Pipe for new laterals 2" and smaller
 - The use of type "K" copper with either Compression fittings or Flared fittings is *Only* permitted on the customer side of the meter Soldered joints are not allowed in Meter Box.
- MINIMUM DEPTH** of the lateral is 48 inches (48") from the surface.
- DEPTH OF FLOWLINE** thru the meter is.
 - 3/4" and 1" meter** - 18 inches (18") to 20 inches (20")
 - 2" meters** - 20 inches (20") to 24 inches (24")
 - All other meter depth must be approved by the Water Utility
- Meter box type must be approved by the Water Utility (Concrete, Polyethylene, etc. Refer to the current edition of the Ogden City Engineering Standards for additional details.)
- No other Connections are allowed in meter box (*Example.* sprinkling system valves).
- Due to our new meter setters with backflow prevention, we recommend the installation of an expansion tank, if one is not currently present, to avoid any damage to your plumbing fixtures.
- Meter setter with backflow prevention must be approved by the Water Utility



ADDITIONAL QUESTIONS?

CONTACT:

**METER CREW OR LEAK CREW
(801) 629-8321**



Ogden City Water Utility

133 W. 29th
Ogden, Utah
84401
801-629-8321